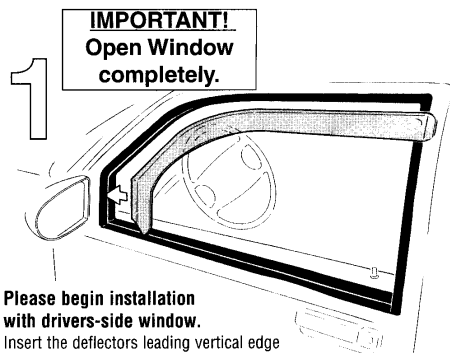


INSTALLATION INSTRUCTIONS

PLEASE NOTE: YOU **MUST** FOLLOW THESE INSTRUCTIONS TO INSTALL CORRECTLY.

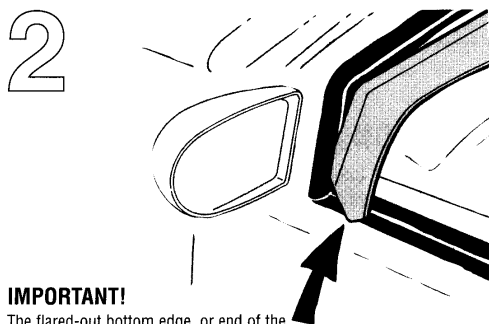
WeatherTech®
WeatherFlectors™

If the deflector is not inserted properly, damage to the deflector and/or the window lift mechanism may occur.
Installation is recommended at temperatures above 50° Fahrenheit.



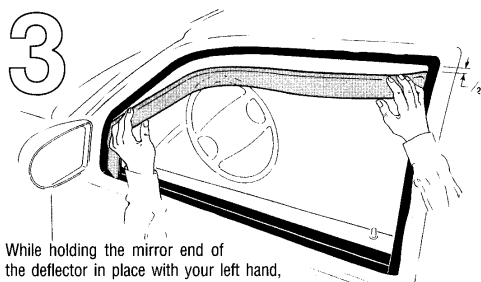
Please begin installation with drivers-side window.

Insert the deflector's leading vertical edge into the window channel behind the side mirror bracket. For proper fit, ensure that the only portion of the deflector that is inserted into the window channel (window track) is the *thin, opaque, machined edge*.

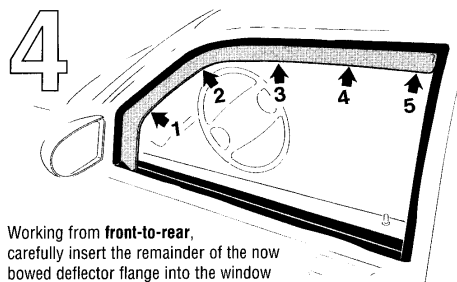


IMPORTANT!

The flared-out bottom edge, or end of the deflector must be resting **ON TOP** of the doors outside weather-strip molding (also known as the "dew wiper").



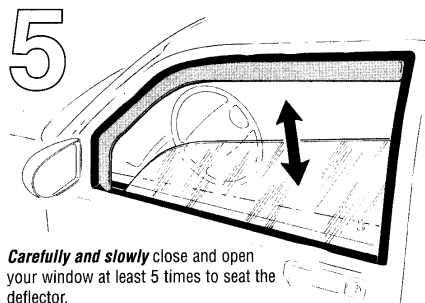
While holding the mirror end of the deflector in place with your left hand, grasp the opposite end with your right hand. Bow the deflector toward you while you insert the rear most portion of the deflector flange into upper right-hand corner of the window channel. Leave a gap of approximately $\frac{1}{8}$ " between the top edge of the deflector and the upper corner of the window frame, as this will ease the remainder of the installation.



Working from **front-to-rear**, carefully insert the remainder of the now bowed deflector flange into the window channel by pulling downward on the deflector with your fingertips until the flange of the deflector slips up into the window channel.

IMPORTANT:

- Prior to closing your windows for the first time ensure that:
- The tip or end of the deflector is properly resting **on top** of the door weather-strip molding (dew wiper).
 - The thin, opaque machined mounting-flange is fully and properly inserted into the window channel from front to rear.



Carefully and slowly close and open your window at least 5 times to seat the deflector.

NOTE: Some vehicles are equipped with a safety feature that will automatically open the window if any resistance is met (such as the finger of a child!). In the event this occurs, simply sandwich the window glass between the palms of your hands as you raise the window to manually assist the window to fully close and stay closed for a few seconds. This should override this feature long enough for the vehicle to become accustomed to the deflector. The Wind and Rain Deflector should be fully seated once the window is left in the closed position for at least 24 hours.

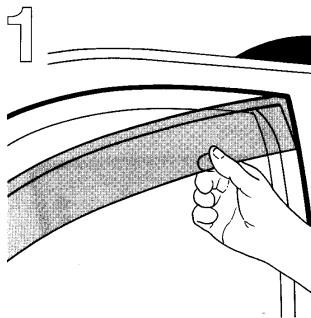
Repeat steps one (1) through five (5) for passenger-side window installation.

Questions? Call customer service @ 1.630.769.1500
Monday — Friday, 9 a.m. — 5 p.m. central time.

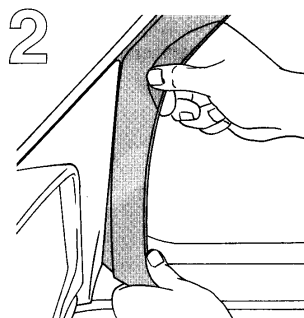
WeatherTech® WeatherFlectors™

07

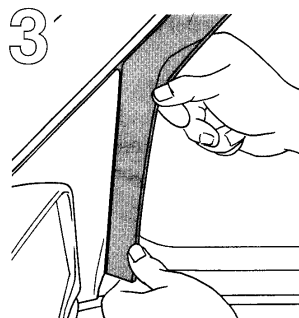
For an alternate method of installation that may prove easier for some vehicles, please use the following instructions:
Installation is recommended at temperatures above 50° Fahrenheit.



1
Begin installation with driver's door.
Note: Please open window completely. Insert the end of the deflector with the WeatherFlectors™ decal into the window channel in the upper, right-hand corner of the window opening.



2
Guide the machined flange of the deflector into the window channel, from **rear-to-front**, until you reach the end of the deflector, near the side-view mirror.



3
Grasp the deflector firmly with both hands, as shown in illustration #2. Lift upward on the deflector to place it ON TOP of the weatherstrip (*dew-wiper*), while inserting the machined flange into the channel, or opening behind the side mirror mount.

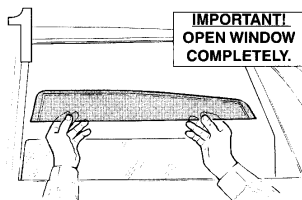
Inspect the deflector to ensure that it is fully and properly inserted into the window channel. Open and close the window five (5) times to fully seat the deflector. Repeat installation for passenger side.

INSTALLATION INSTRUCTIONS, REAR

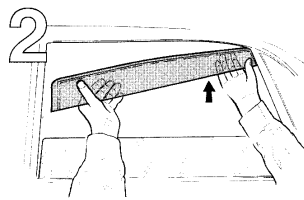
06

If the deflector is not inserted properly, damage to the deflector and/or the window lift mechanism may occur.
Installation is recommended at temperatures above 50° Fahrenheit.

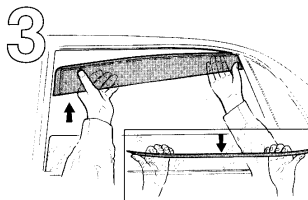
The rear window deflector is designed to be slightly larger than the window opening itself, it is retained in the window channel by being wedged into place.



1
Please begin installation with drivers-side window.
Begin the deflector installation from the bottom of the window opening. Peel the backing from the adhesive strip prior to installing (if supplied).



2
Insert the rearmost portion of the deflector up into the window channel at the rear of the window opening.



3
While holding the rear end of the deflector with your right hand, pivot the leading end of the deflector up into the channel thereby wedging it into the channel. **IMPORTANT, As you pivot the front end of the deflector into place, it is imperative to apply light-outward pressure to the deflector to maintain adequate tolerance for the window glass to pass behind it.**

Carefully and slowly close and open your window at least 5 times to seat the deflector. Initially, mild contact may occur between the window and the deflector as it seats itself into the window channel. The Wind and Rain Deflector should be fully seated once the window is left in the closed position for at least 24 hours.

Repeat steps one (1) through three (3) for passenger-side window installation.