



GENUINE PARTS

INSTALLATION INSTRUCTIONS

1. DESCRIPTION: SPLASH GUARDS

2. APPLICATION: MURANO

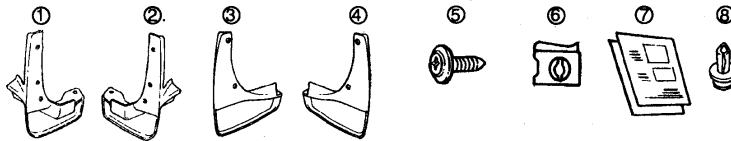
3. PART NUMBERS:

SET OF 2 FRONT
999J2-CP00003

SET OF 2 REAR
999J2-CP00004

4. KIT CONTENTS:

	Item	Qty.	Part Name
FRONT SET	①	1	Splash Guard Front (Right)
	②	1	Splash Guard Front (Left)
	③	2	Push Pin
	⑦	1	Installation Instructions
REAR SET	③	1	Splash Guard Rear (Right)
	④	1	Splash Guard Rear (Left)
	⑤	6	Tapping Screw #10 x 19 mm
	⑥	6	Spring Clip #10
	⑦	1	Installation Instructions



5. TOOLS REQUIRED:

#2 Phillips Screwdriver, Slotted Screwdriver, Drill Motor, 6mm Drill Bit, Rag.

6. INSTALLATION PRECAUTIONS / SPECIAL NOTES:

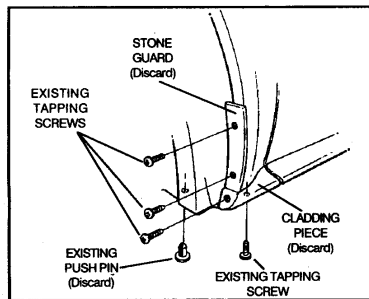
- (A) Be careful not to damage the vehicle and the splash guards during the installation.
- (B) The splash guards are made of plastic. Avoid any heavy impact.
- (C) After the installation is completed, make sure all the screws, nuts, bolts and other components are tightened securely.
- (D) Installation surface must be clean.

INSTALLATION INSTRUCTIONS - SPLASH GUARDS

7. INSTALLATION:

1. Front Splash Guards:

1-1. Removal of the screws from the vehicle

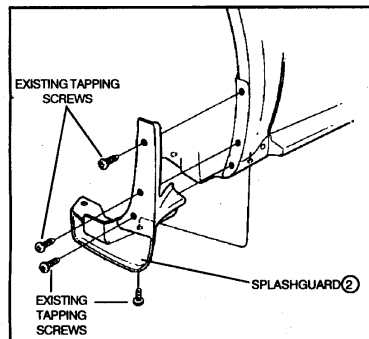


- (1) Wash any dirt and oil off of the installation surface with mild soap and water.
- (2) Remove the tapping screws (4 locations). Do not discard.
- (3) Remove plastic push pin using slotted screw driver and discard.
- (4) Remove existing stone guard and cladding piece and discard. Pull outwards on cladding piece to remove.

Important

Turn the tire to the right during the installation of the right side splash guard.
(Turn the tire left during left side installation.)
Retain the removed screws which will be reused for the installation of the splash guard.

1-2. Front splash guard installation

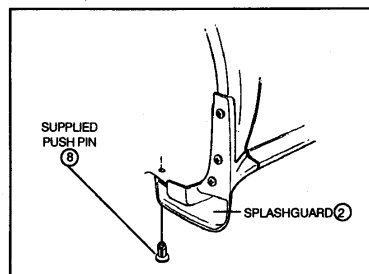


- (1) Install the front splash guard ② with previously removed tapping screws. **Do not over tighten.**

Important

Hold the splash guard tight to the vehicle while tightening the screws. Be sure no gap occurs between fender and splash guard.

1-3. Push pin installation

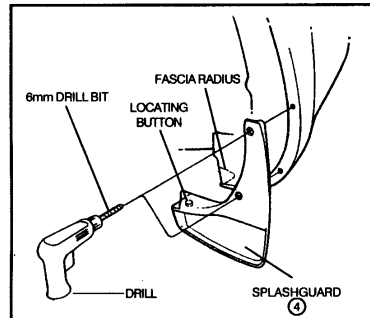


- (1) Install supplied plastic push pin ③.

INSTALLATION INSTRUCTIONS - SPLASH GUARDS

2. Rear Splash Guards:

2-1. Preparation for hole drilling

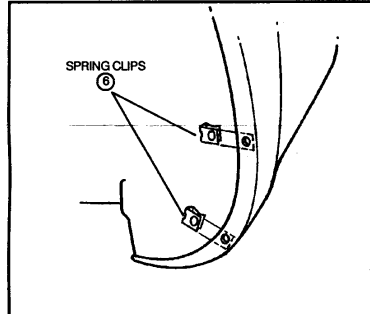


- (1) Wash any dirt and oil off of the installation surface with mild soap and water.
- (2) Fit splash guard (4) to vehicle using locating button as a stop. Locating button will rest in radius of bumper fascia. Verify fit ensuring that there is no gap between splash guard and fascia. Drill 6mm (1/4") holes on bumper edge using splash guard as a template.

Important

Hold the splash guard tight to the vehicle while drilling holes.

2-2. Spring clip installation

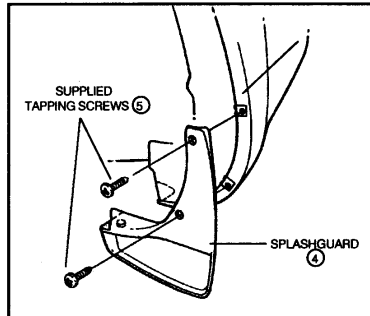


- (1) Insert the spring clips (6) (2 locations) over the holes on the rear bumper edge.

Important

Install spring clip with turned up edge on inside of panel edge.

2-3. Rear splash guard installation



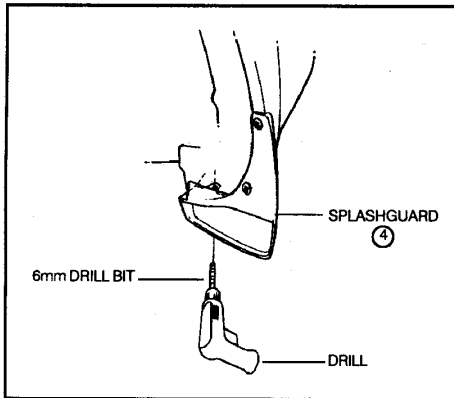
- (1) Install the rear splash guard (4) with the tapping screws (5).

Important

Hold the splash guard tight to the vehicle while tightening the screws. Be sure no gap occurs between fender and splash guard.

INSTALLATION INSTRUCTIONS - SPLASH GUARDS

2-4. Hole preparation

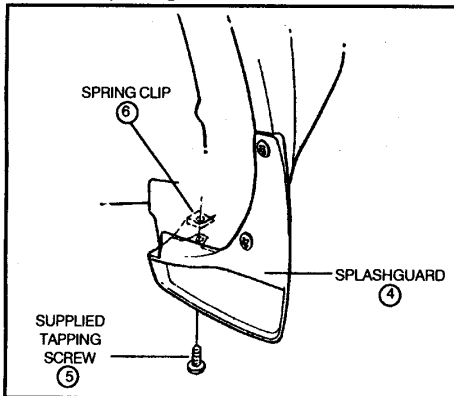


- (1) Hold splash guard ④ tight to the vehicle, drill a 6mm (1/4") hole using lower tab as a template

Important

Hold the splash guard tight to the vehicle while drilling holes.

2-5. Rear splash guard installation



- (1) Install supplied tapping screw ⑤ using supplied spring clip ⑥ as a nut.

Important

Hold the splash guard tight to the vehicle while tightening the screws. Be sure no gap occurs between fender and splash guard.